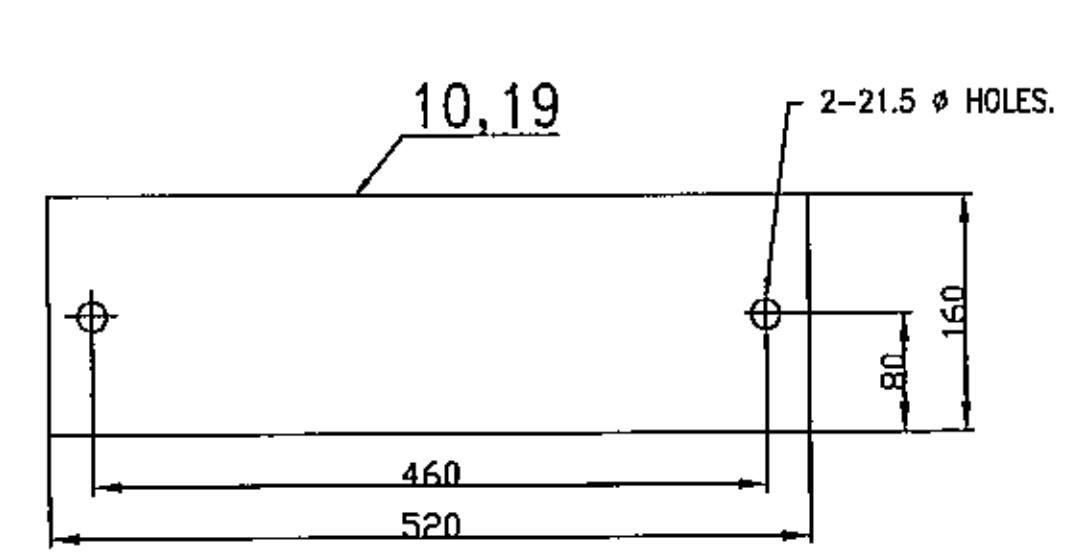
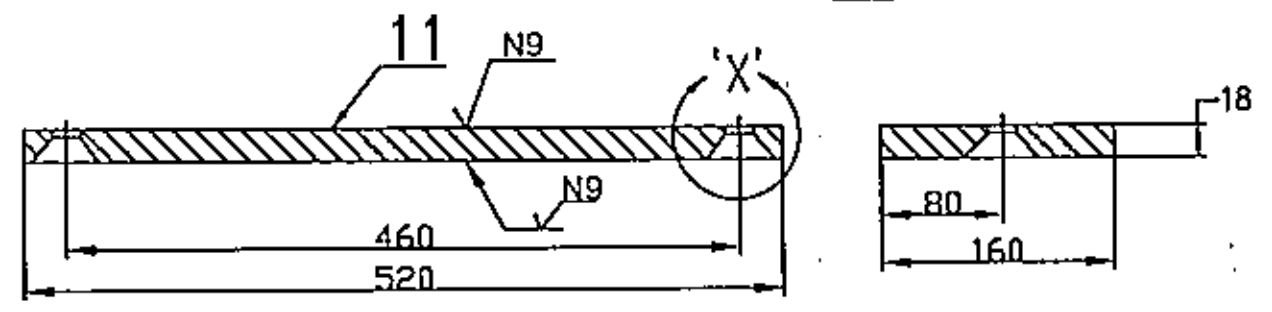
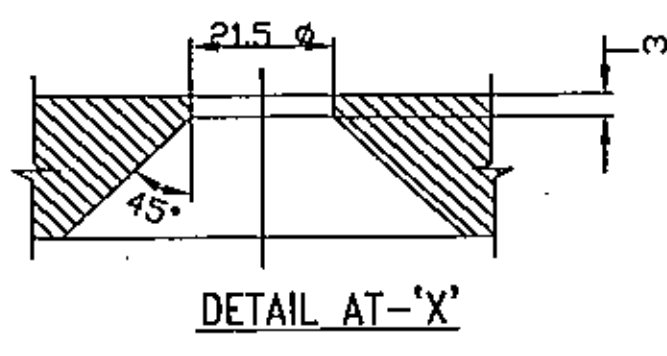


- NOTE:-**
- BEFORE SHIM ADJUSTMENT DIMENSION 11 ± 0.5 MARKED AS * IS TO BE STRICTLY CONTROLLED.
 - PLACE BOTH THE BOGIES OF WAGON ON HORIZONTALLY LEVEL TRACK.
 - LOWER WAGON BODY ON BOGIES (FITTED WITH BOTTOM CENTRE PIVOT & CONSTANT CONTACT SIDE BEARERS.)
 - MEASURE ASSEMBLED HEIGHT OF SIDE BEARER 125 ± 0.5 mm ON BOTH SIDES (LHS & RHS) OF WAGON.
 - MAKE SUITABLE ADJUSTMENTS IN THE SHIMS OF BODY SIDE BEARERS TO ATTAIN SIDE BEARER HEIGHT 125 ± 0.5 mm.
 - THIS DRAWING IS APPLICABLE ONLY FOR NEW WAGONS.
 - AS PER ANNEXURE-III (LIST OF CONSTANT CONTACT SIDE BEARER) OF LATEST STR NO. WD-17 CASNUB 22HS BOGIE-92.

ITEM	DESCRIPTION	NO. OF PER WAGON	REF. DRG.	WT. OF ONE(Kg)	MATL. & SPEC.	REMARKS
19	PACKING SHIM	8			IS:1079 Gr'O'	
18	BOGIE BOLSTER	2	WD-92058-S/3			
17	DUST SHIELD	2	WD-85079-S/2 ITEM-6			
16	20 φ RIVET	8			IS:1929 IS:1148	
15	φ 22.2 (7/8") HUCK/AVDEL BOLTS	8			CARBON STEEL	
14	22 φ RIVETS	8			IS:1929 IS:1148	
13	BOLSTER BOTTOM GUSSET	2	WD-80007-S/15 ITEM-8			
12	M-20 CSK-HEAD SCREW WITH NUT	8			IS:1367 Pt III-79 PROPERTY CLASS-4 & IS:1365	
11	TOP SIDE BEARER LINER	4			IS:2062 Fe 410 CU WA	
10	PACKING	8			IS:1079 "O" CU BEARING	
9	CONSTANT CONTACT SIDE BEARER	4	SEE NOTE-7			
8	RETAINING RING	2	WD-80007-S/15 ITEM-9			
7	WASHER	2	WD-85079/S-2 ITEM-4			
6	LOCK PIN WITH 3.5φ SPLIT PIN	2	WD-85079/S-2 ITEM-8		IS:549 FOR SPLIT PIN	
5	SHACKLE LOCK	2	WD-85079/S-2 ITEM-7			
4	BOGIE CENTRE PIVOT PIN	2	WD-85079/S-2 ITEM-5			
3	CENTRE PIVOT RETAINER	2	WD-85079/S-2 ITEM-3			
2	BOGIE CENTRE PIVOT (BOTTOM)	2	WD-85079/S-2 ITEM-1			
1	BOGIE CENTRE PIVOT (TOP)	2	WD-85079/S-2 ITEM-2			



ITEM	THICKNESS
10	3.15 mm
19	1 mm



ALT	ITEM	AUTHY	DESCRIPTION	DATE	ASSEMBLY DRAWINGS
4	WD-07028		DRG. REVISED & REDRAWN.	05/07	
9	WD-05093		DRG. NO. AH-021101 DELETED & NOTE-7 ADDED.	12/05	
17	WD-0503		"BOXN" CORRECTED AS "BOXNHS" & ITEM NO CORRECTED OF IT. 17.	4/05	
15	WD-0406		RIVETS REPLACED WITH HUCK/AVDEL BOLTS	8/04	

SUPERSEDED BY: [] DATE: []

SCALE: PASSED S.C.DIXIT 8/07

CHECKED S.K.SHARMA 5/07

DRAWN SUJHIR 5/07

TRACED []

J.SHEET WD-04038 5/04

BOXNHS' WAGON WITH CASNUB-22HS BOGIE

CENTRE PIVOT & SIDE BEARER ARRANGEMENT

B.G. R.D.S.O. [W] GROUP: []

WD-04038-S/3