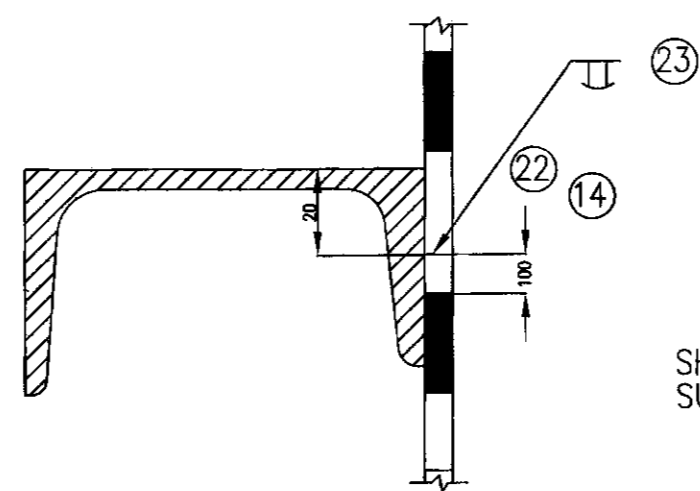
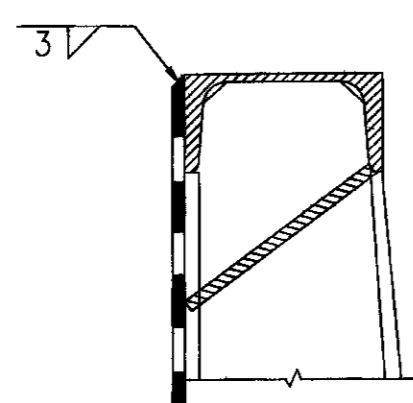
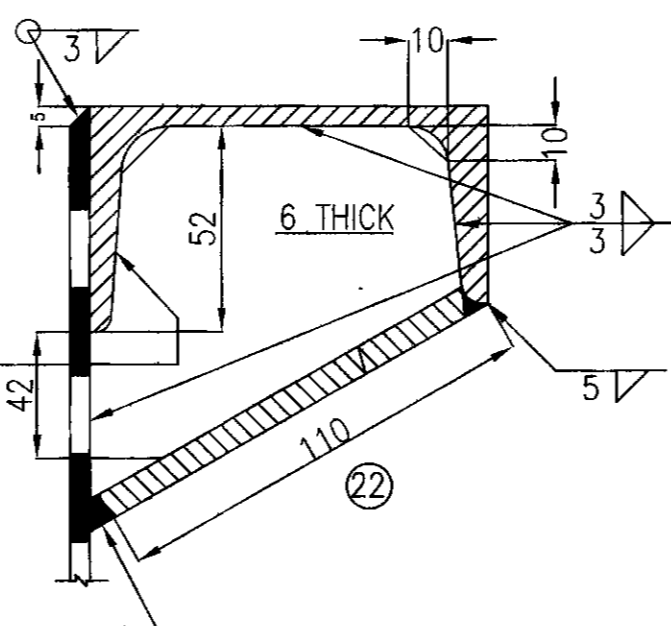


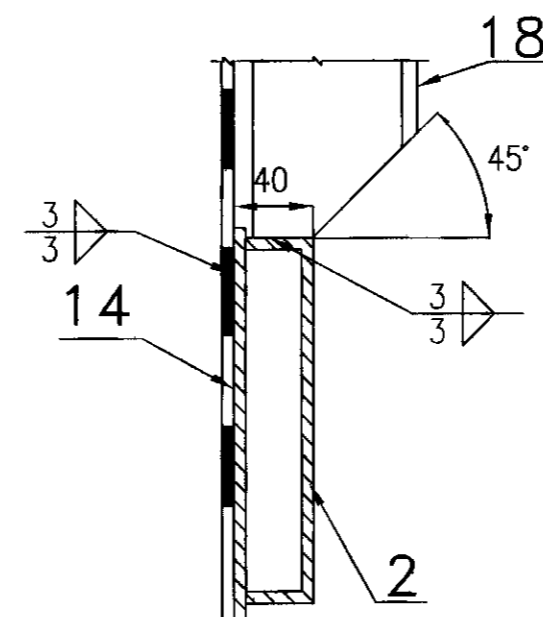
DETAIL AT-X



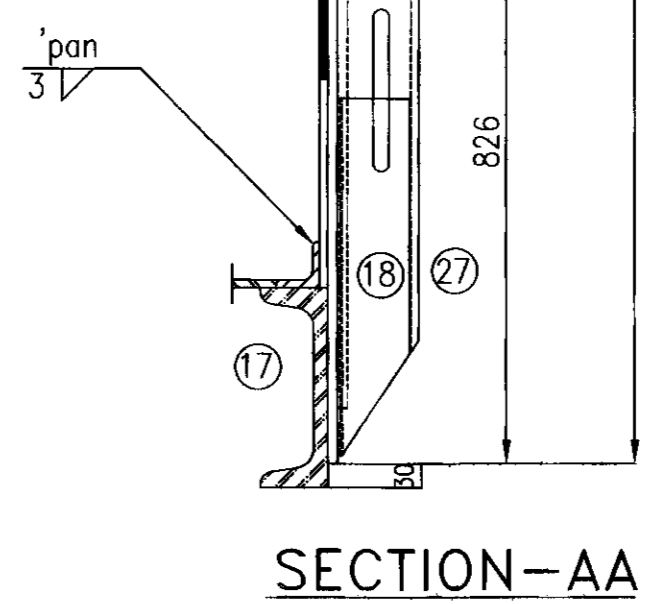
SECTION-DD
BODY SIDE PLATE JOINTS



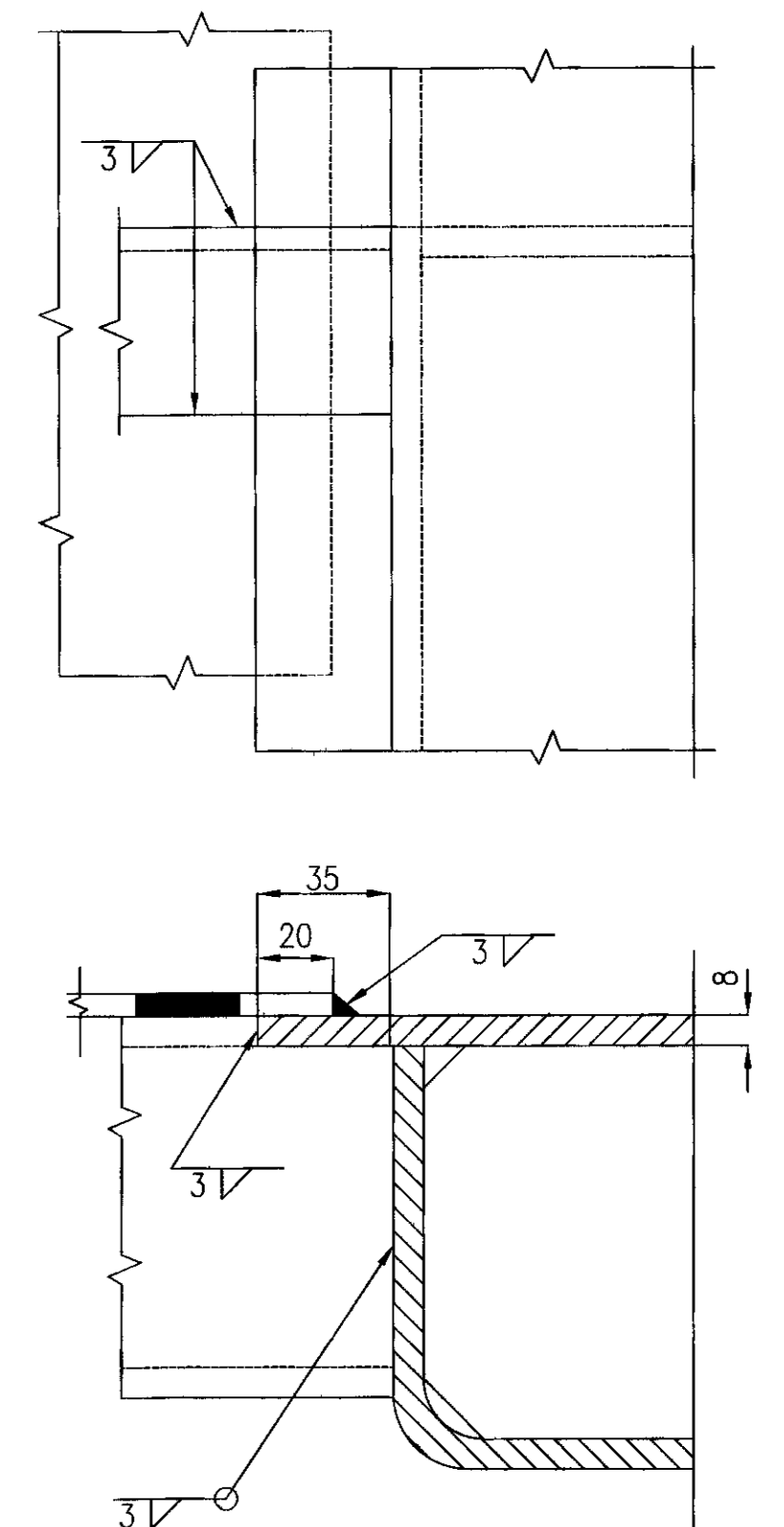
SECTION-BB



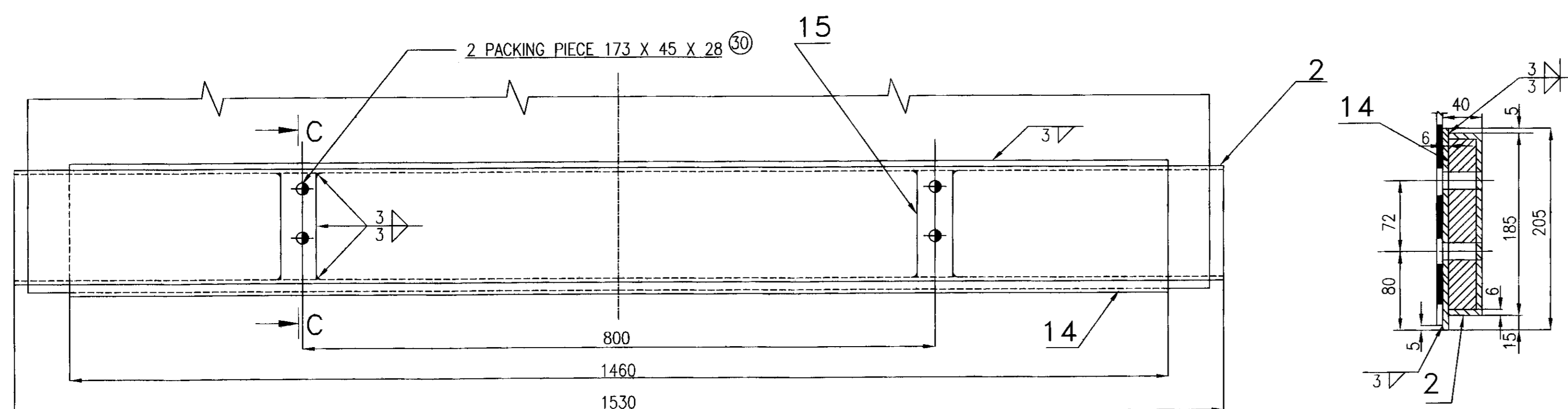
DETAIL AT-K



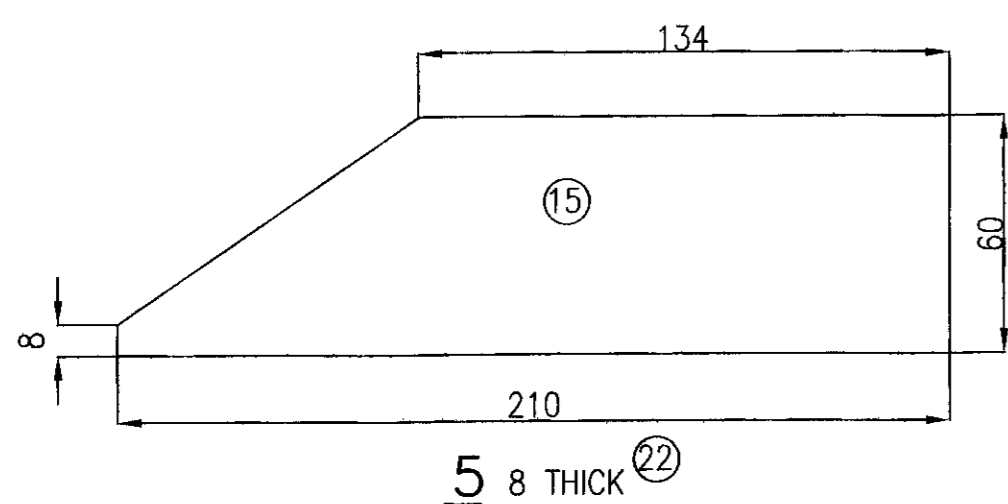
SECTION-AA



DETAIL AT-Y

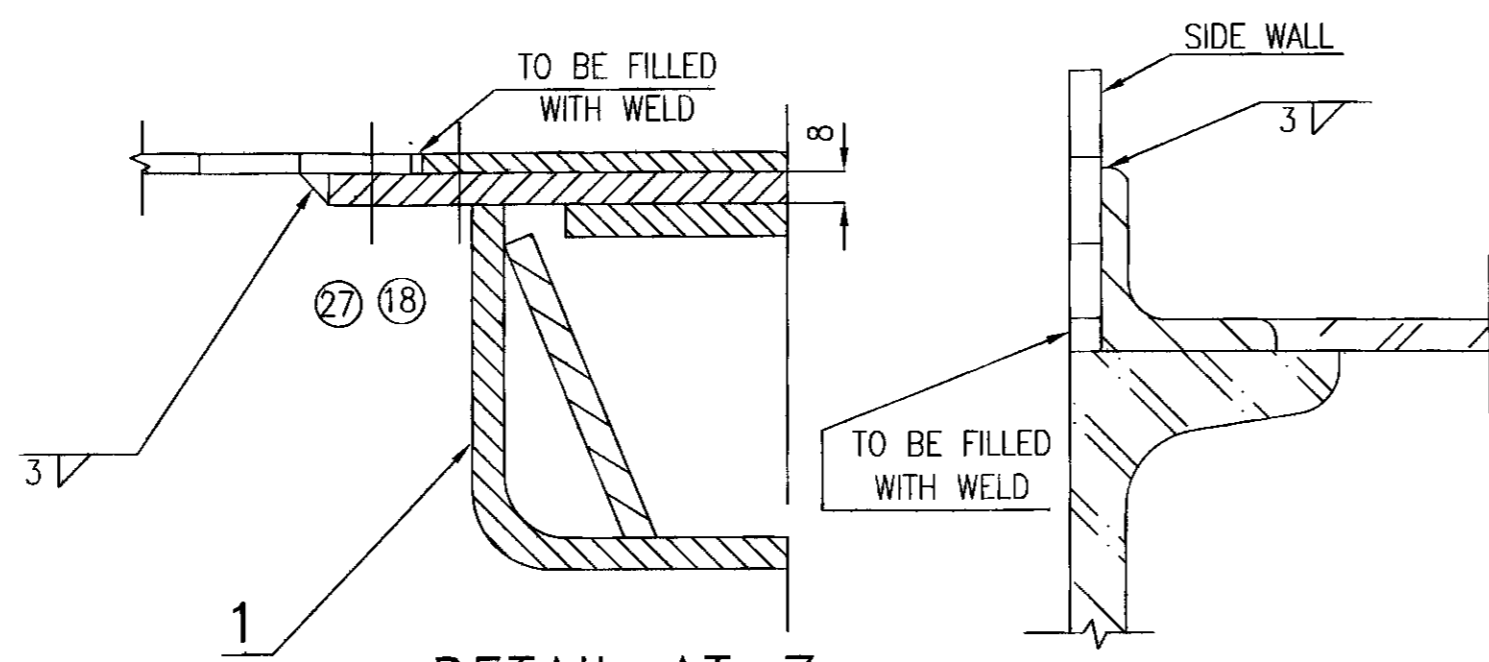


SECTION-CC



NOTE:-

MATL SPEC FOR PLATES TO THICKNESS 6,8 & 28mm AND ROUNDS MAY BE TO IS:2062 Fe 410 WA INSTEAD OF IS:2062 Fe 410 Cu WA.
13.5 ϕ HOLES FOR 12 ϕ RIVET/HUCK/AVDEL BOLTS SHOWN THUS ϕ
17.5 ϕ HOLES FOR 16 ϕ RIVETS SHOWN THUS ϕ



DETAIL AT-Z

SECTION-PP

30	WD-231	PACKING PIECE DIM REV FROM 133x45x28 TO 173x45x28	12/2023
29	WD-23067	DRAWING REVISED DUE TO CHANGE IN DOOR HEIGHT AND REDUCTION FROM 4 TO 2	07/2023
28	WD-21086	"BOXNEL" ADDED IN TITLE BLOCK	08/2021
27	WD-21029	STANCHION COVER OUTER AND MIDDLE REMOVED. SECTIONS AA AND Z REVISED ACCORDINGLY.	03/2021
26	WD-21001	TARPAULIN CLEAT MARKING DISTANCES AND LEGEND MARKING CORRECTED.	01/2021
25	WD-20017	IN LEGEND BOX BOXNM1/BOXNM2 AND BOXNHSM1/BOXNHSM2 ADDED.	06/2020
24	WD-13018	"BOXNHAM" ADDED IN TITLE BLOCK	04/13
23	WD-07042	MIDDLE DOORS BLOCKED & DRG. MODIFIED	07/07
22	WD-06080	ALT. 21 SEPERATED OUT FOR REHAB-1 AND DRG. REVERTED TO ALT. 20	10/06
21	WD-06003	DRG. REVISED & REDRAWN	01/06
20	WD-05098	HUCK/AVDEL BOLTS ADDED	12/05
19	WD-05026	ADDITIONAL TARPAULIN CLEATS ADDED AS ITEM 19	03/05
18	WD-04093	DRG. REVISED	12/04
17	WD-02026	MATL. & DRG. REVISED	5/02
16	WD-01044	REVISED & REDRAWN	7/01
15	WD-98042	REVISED	7/98
14	WD-96039	DIMENSION CORECTED	12/96
13	WD-95064	REVISED & REDRAWN	12/95

ITEM	DESCRIPTION	NO. OFF	REF. DRG.	WT. OF ONE(Kg)	MTL. & SPEC	REMARKS
21	SIDE PLATE AT CENTRE	2		114.51	IS:2062 Fe 410 CU WA	
20	COVERING PLATE FOR TOP COPING AT MIDDLE	2		7.93	IS:2062 Fe 410 CU WA	
19	TARPAULIN CLEAT	52	W/ML-2726	0.3		(19)(26)
18	DOORWAY STIFFENER (SMALL)	2		4.51	IS:2062 Fe 410 CU WA	
17	DOORWAY STIFFENER (LONG)	8		6.69	IS:2062 Fe 410 CU WA	
16	COVERING PLATE FOR TOP COPING (DOORWAY)	4		3.63	IS:2062 Fe 410 CU WA	
15	DOORWAY CROSSBAR PACKING PIECE	8		1.3	IS:2062 Fe 410 CU WA	(23)
14	DOORWAY CROSSBAR BACK PLATE	4		11.4	IS:2062 Fe 410 CU WA	
13	COVERING PLATE FOR TOP COPING (DOORWAY)	4		1.89	IS:2062 Fe 410 CU WA	
12	SIDE MIDDLE COPING (DOORWAY & MIDDLE)	10		14.1	IS:2062 Fe 410 CU WA	
11	COVERING PLATE FOR TOP COPING	4		7.8	IS:2062 Fe 410 CU WA	
10	"PERSHAD" LABEL HOLDER	2	W/ML-11	-		
9	BODY SIDE HAND HOLD	2		1.4	IS:2062 Fe 410 CU WA	
8	SIDE PLATE AT DUMMY QUARTER	4		112.1	IS:2062 Fe 410 CU WA	(17)
7	SIDE PLATE AT DOORWAY	2		114.51	IS:2062 Fe 410 CU WA	(17)
6	SIDE PLATE (OUTER)	4		44.3	IS:2062 Fe 410 CU WA	(17)
5	PACKING PLATE (SIDE)	4		0.7	IS:2062 Fe 410 CU WA	
4	SIDE MIDDLE COPING	8		13.9	IS:2062 Fe 410 CU WA	
3	SIDE TOP COPING WITH RIBS	2		101.5	IS:2062 Fe 410 CU WA	
2	DOORWAY CROSS BAR PRESSING	2		32.14	IS:5986 Fe 360	(23)
1	BODY SIDE STANCHION	6 R 6 L	WD-80007-5-17	1121.4		

SUPERSEDED BY		BOGIE OPEN WAGON TYPE 'BOXN,BOXNHS,BOXNHAM,BOXNEL BOXNM1/BOXNM2 AND BOXNHSM1/BOXNHSM2' (25)(26)	
SCALE	PASSED	DATE	
1:20	CHECKED	8/83	
	DRAWN	5/83	
	TRACED	7/01	
	J.S.NO.		
B.G.	R.D.S.O. [W]	GROUP	WD-80007-S-05

ALT. ITEM AUTHY. DESCRIPTION DATE ASSLY. DRG.