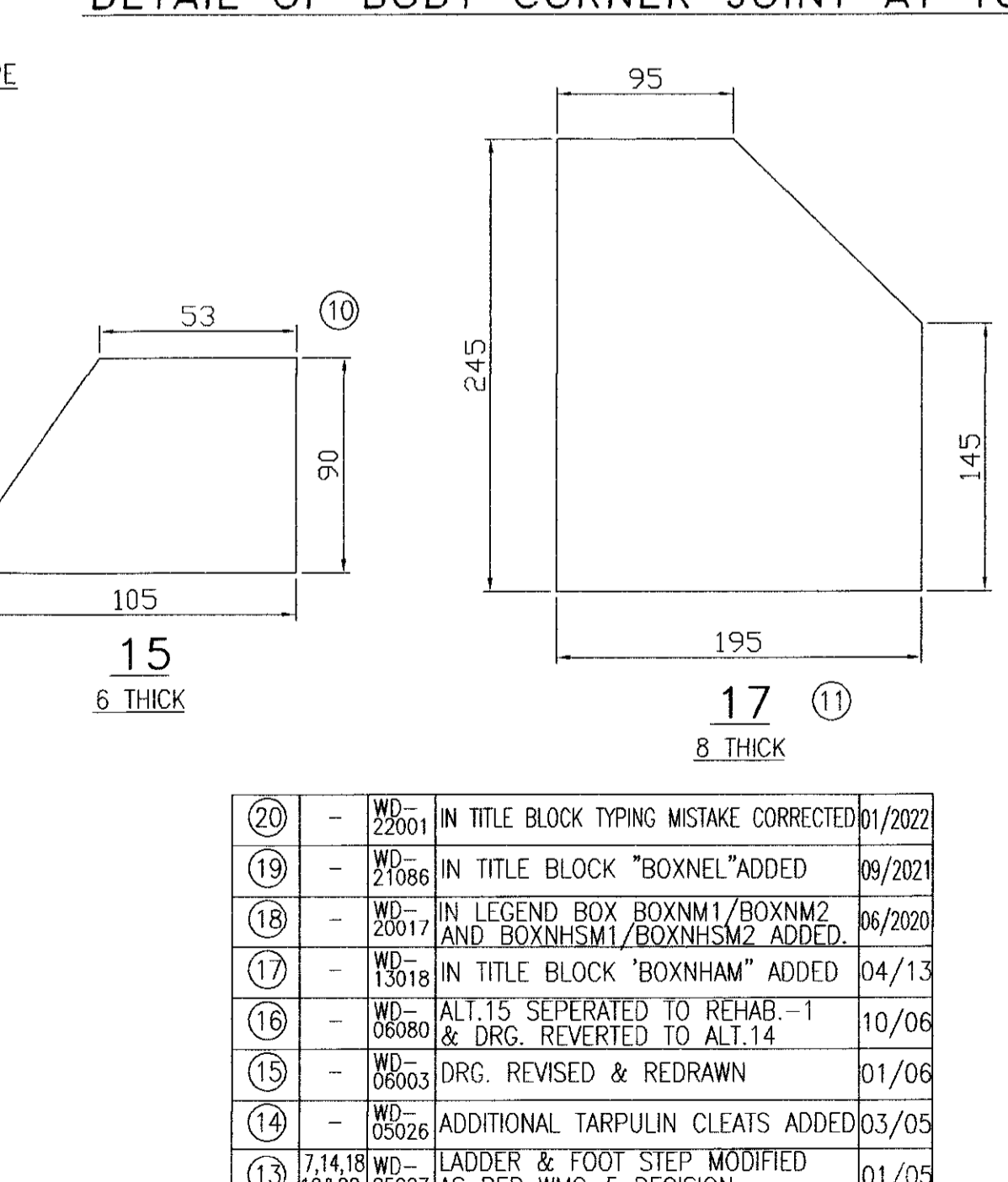
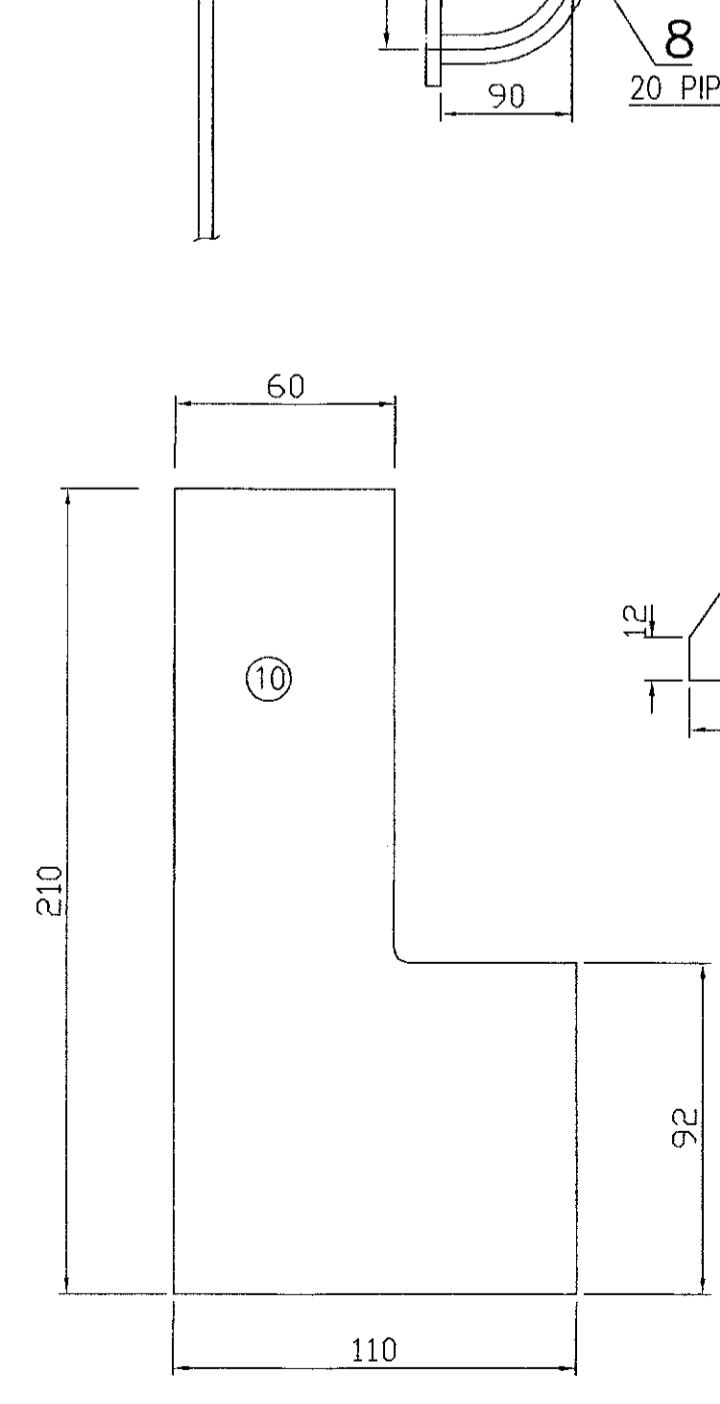
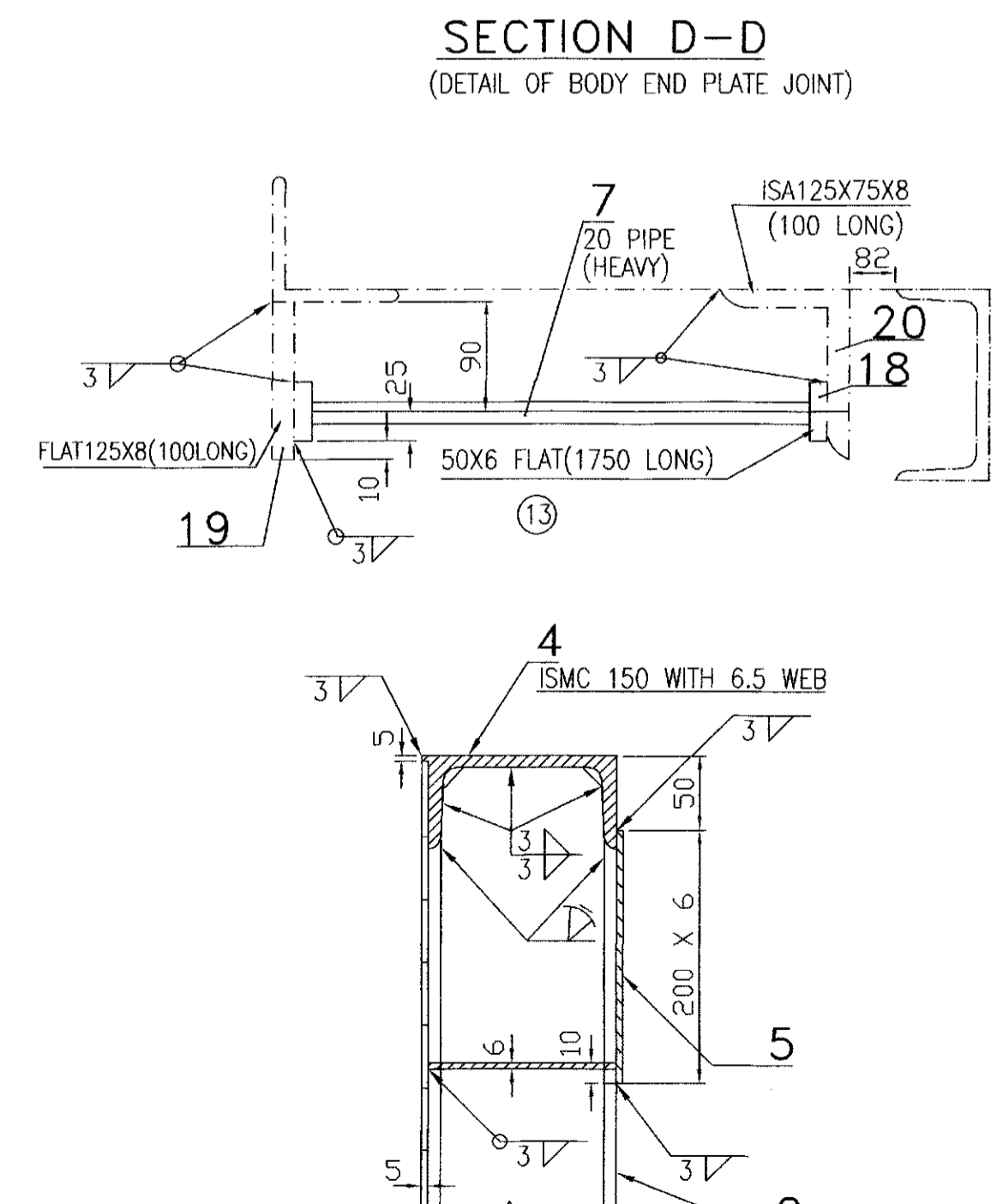
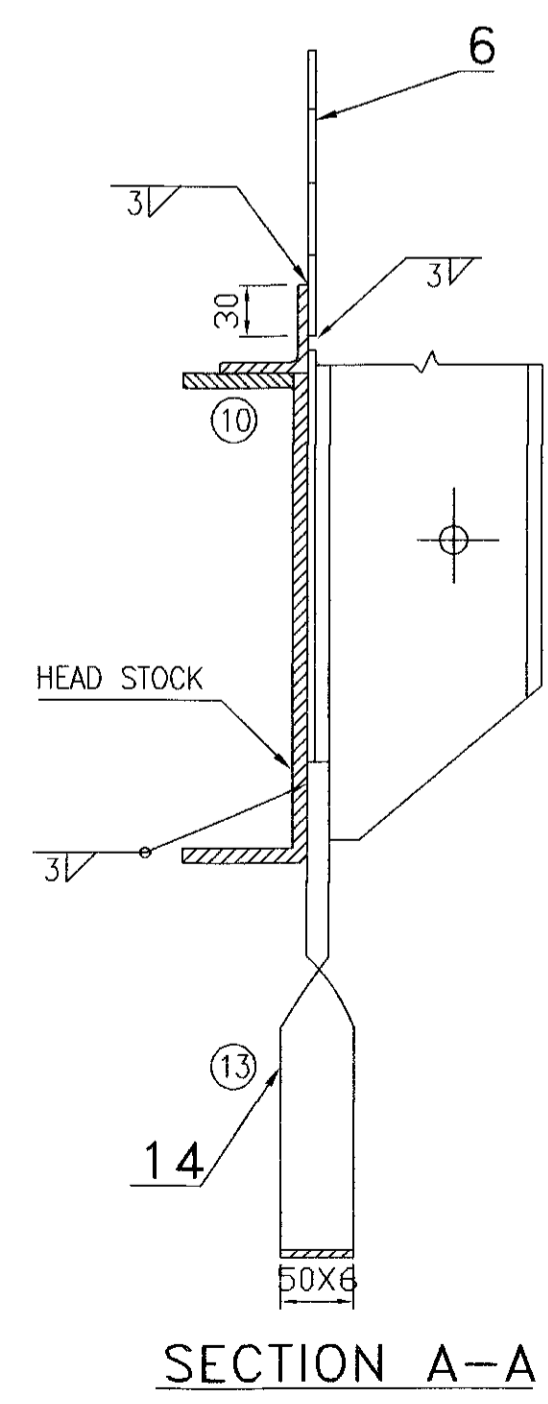


NOTE:-

1. TO BE READ ALONG WITH DRG.NO. WD-80007-S-18.
2. ALL BODY END PLATE JOINTS SHOULD BE VERTICAL.
3. MATERIAL SPECIFICATION FOR PLATES TO THICKNESS 6 & 8 mm MAY BE TO IS:2062 Fe 410 WA INSTEAD OF IS:2062 Fe 410 Cu WA.



NO.	DESCRIPTION	QTY	REF. DRG.	WT. OF ONE (Kg)	MATL.&SPEC.	REMARKS
20	LADDER BRACKET(ANGLE)	6		1.2	IS:2062 Fe 410 CU WA	
19	LADDER BRACKET(PLATE)	2		0.8	IS:2062 Fe 410 CU WA	
18	LADDER FRAME	4		4.1	IS:2062 Fe 410 CU WA	
17	TOP CORNER STIFFENER	4		2.014	IS:2062 Fe 410 CU WA	
16	TARPAULIN CLEAT	16	W/ML-2726	-	-	
15	PACKING PLATE (END)	4		0.5	IS:2062 Fe 410 CU WA	
14	FOOT STEP	2		2.4	IS:2062 Fe 410 CU WA	
13	CORNER CONNECTING BEND PLATE	2R 2L		1.1	IS:2062 Fe 410 CU WA	
12	CORNER CONNECTING PLATE	4		1.0	IS:2062 Fe 410 CU WA	
11	STIFFENER HORIZONTAL(OUTER)	4		4.1	IS:2062 Fe 410 CU WA	
10	STIFFENER HORIZONTAL(CENTRE)	2		4.6	IS:2062 Fe 410 CU WA	
9	STIFFENING PLATE (VERTICAL)	4		0.9	IS:2062 Fe 410 CU WA	
8	LADDER HAND HOLD	2		0.6	IS:1239 PART-1	HEAVY
7	LADDER PIPE	10		0.76	IS:1239 PART-1	HEAVY
6	END PLATE	2		223.1	IS:2062 Fe 410 CU WA	(12)
5	TOP COPING PLATE	2		27.2	IS:2062 Fe 410 CU WA	
4	END TOP COPING	2		54.2	"	
3	CORNER STANCHION	2R 2L		33.0	"	
2	END STANCHION (INNER)	2R 2L		39.9	"	
1	END STANCHION (OUTER)	2R 2L		39.2	IS:2062 Fe 410 CU WA	

NO.	DESCRIPTION	DATE
20	IN TITLE BLOCK TYPING MISTAKE CORRECTED	01/2022
19	IN TITLE BLOCK "BOXNEL" ADDED	09/2021
18	IN LEGEND BOX BOXNM1/BOXNM2 AND BOXNHSM1/BOXNHSM2 ADDED.	06/2020
17	IN TITLE BLOCK "BOXNHAM" ADDED	04/13
16	ALT.15 SEPERATED TO REHAB.-1 & DRG. REVERTED TO ALT.14	10/06
15	DRG. REVISED & REDRAWN	01/06
14	ADDITIONAL TARPULIN CLEATS ADDED	03/05
13	LADDER & FOOT STEP MODIFIED AS PER W/MG-5 DECISION	01/05
12	MATERIAL REVISED	5/02
11	ITEM 17 ADDED	11/01
10	REVISED	7/98
9	REVISED & REDRAWN	12/95

ITEM	DESCRIPTION	NO. OFF	REF. DRG.	WT. OF ONE (Kg)	MATL.&SPEC.	REMARKS
SUPERSEDED BY						
SUPERSEDES						
SCALE PASSED N.P.GUPTA 8/83						
1:10 CHECKED M.S.PANCHI 5/83						
1:5 DRAWN SURESH 5/83						
1:2 TRACED S.S.KUMAR 7/01						
J.S.NO.						
BODY END ARRANGEMENT						
B.G.		R.D.S.O. [W]		GROUP		WD-80007-S/06

COMP.BY	SIG.	DATE
SETHI		