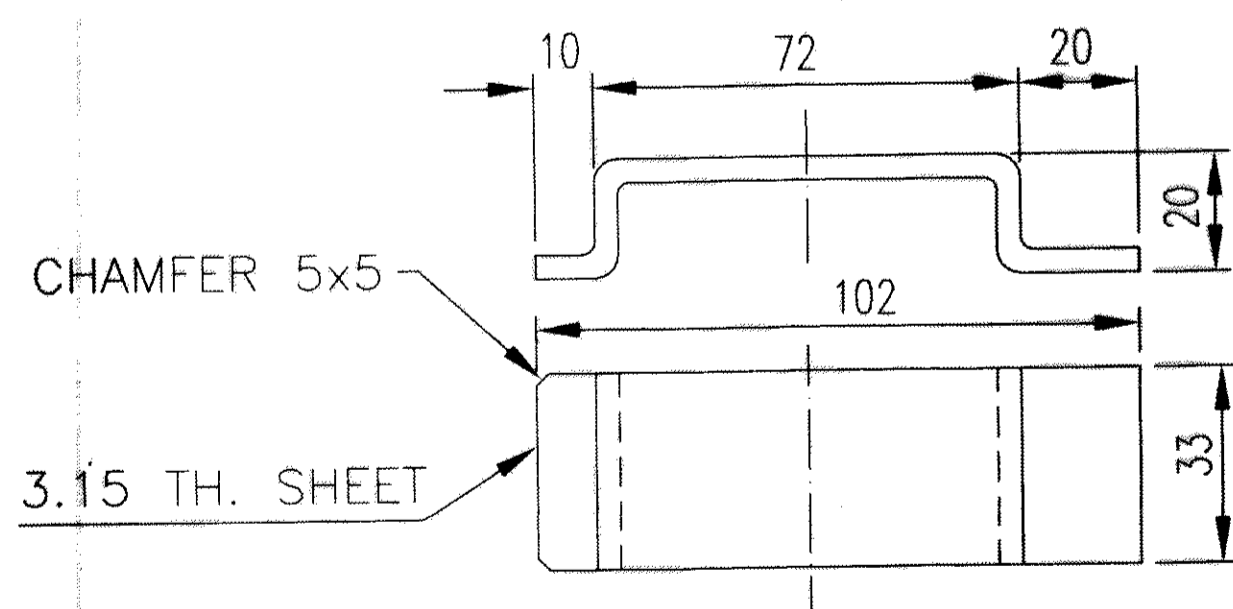
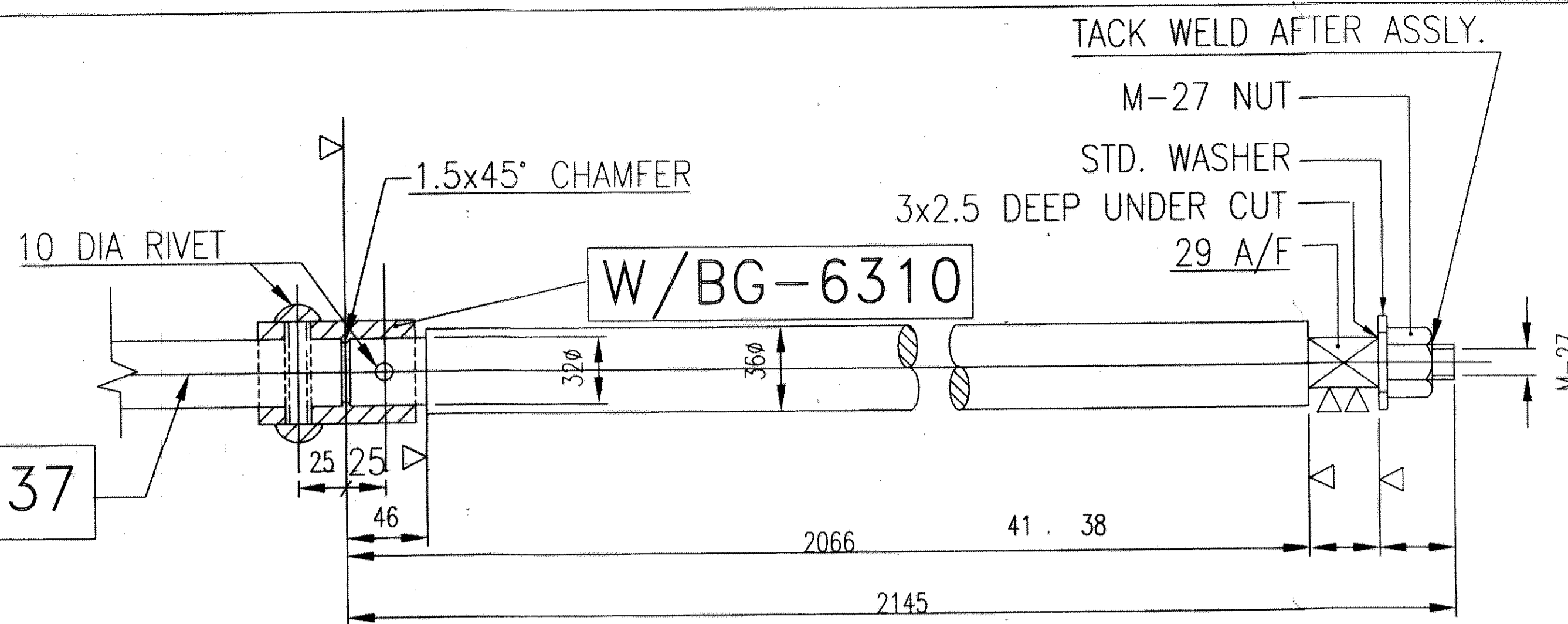


3

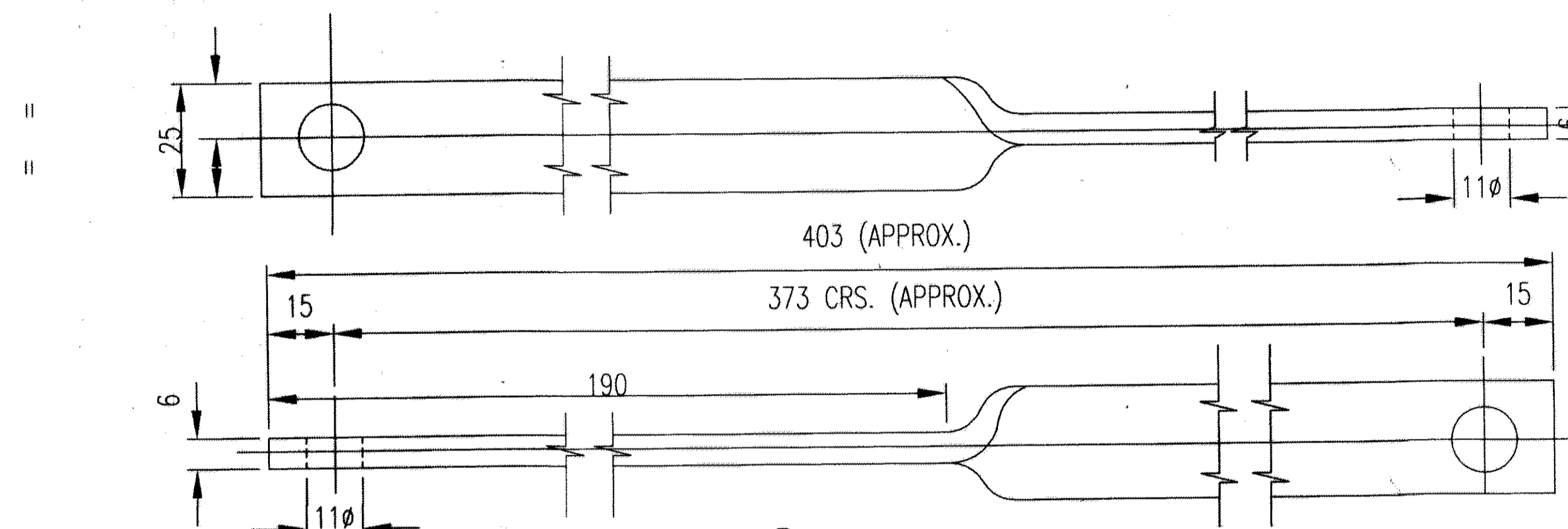


4

WA/BG-6337



1



2

4	APD FOR CONTROL ROD	1	-		IS:1079 Gr'O'	
3	SUPPORTING BRACKET FOR HAND BRAKE SCREW	1	-		IS:2062 Fe 410 WA	
2	CONNECTING ROD FOR BRAKE GEAR	1	-		" "	
1	SPINDLE FOR HAND BRAKE	1	-		IS:2062 Fe 410 WA	
ITEM	DESCRIPTION	NO. OFF	REF. DRG.	WT. OF ONE (kg)	MATL. & SPEC.	REMARKS

SUPERSEDED BY BOGIE OPEN WAGON TYPE BOXN/BOXNHS/BOXNHAM  
 SUPERSEDES DATE BOXNR/BOXNRHS,BOXNM1/BOXNM2 AND BOXNHSM1/BOXNHSM2. 17

SCALE	PASSED	1-84
1:10	CHECKED	1-83
1:5	DRAWN	1-83
	TRACED	
	J.SHEET	

**UNDERFRAME BRAKE GEAR DETAILS**

17	—	WD-20017	IN TITLE BLOCK BOXNM1/BOXNM2 AND BOXNR/BOXNRHS,BOXNHSM1/BOXNHSM2 ADDED.	06/2020	
16	—	WD-13018	IN TITLE BLOCK "BOXNHAM" ADDED	04/13	
15	4	WD-04092	DRG. REVISED	12/04	
14	—	WD-95064	REVISED AND REDRAWN	12/95	WD-80007-S-10
ALT	ITEM	AUTHY	DESCRIPTION	DATE	ASSEMBLY DRAWING

B.G.	R.D.S.O. [W]	GROUP	WD-80007-S-19
------	--------------	-------	---------------