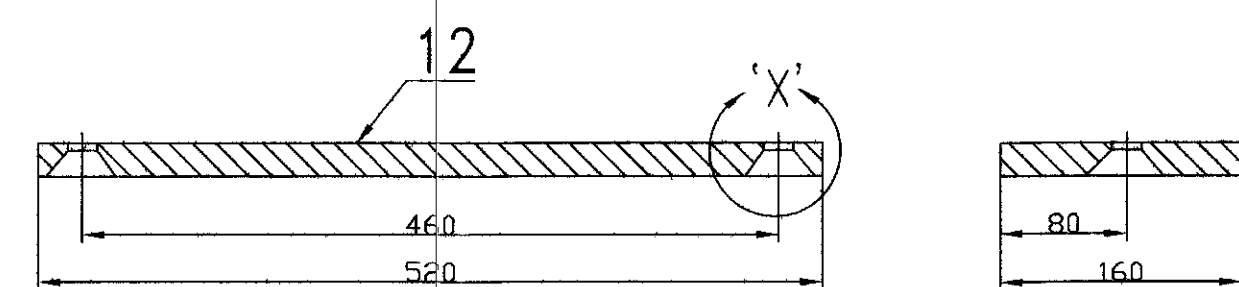
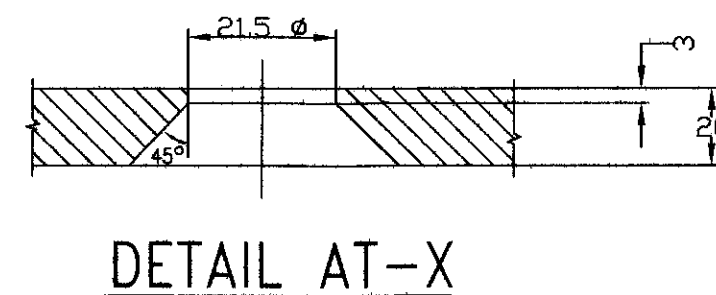
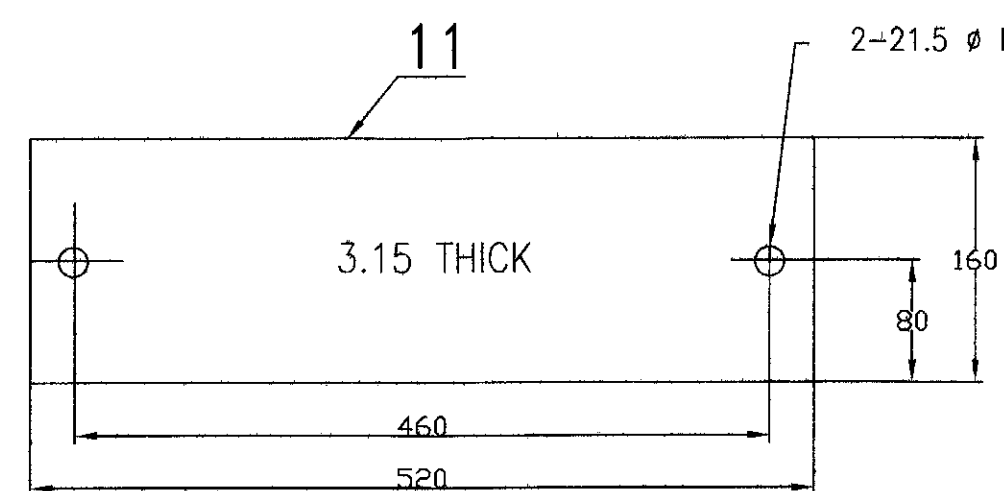


SETHA S.C. INITIALLY DRAWN DRG. COMPARED BY RECORD SECTION
 SIVAMA P. PRAMANICKAN. CHAVITY P. PRADYUMNA D.M. 7/07
 CORRECTION CHECKED PASSED RECOMPARED BY BOGIE SECTION
 DATE



18	BOGIE BOLSTER	2	WD-85067-S/4 WD-85079-S/3		
17	DUST SHIELD	2	WD-85079/S-2 ITEM-6		
① 16	22Ø (7/8") HUCK/AVDEL BOLT	8	-	CARBON STEEL	
15	22Ø RIVET	8	-	IS:1929& IS:1148	
14	BOLSTER BOTTOM GUSSET	2	WD-80007-S/15 ITEM-8		
③ 13	M-20 CSK.HD. SCREW WITH NUT	8	-	IS:1367 (Part-3)-2002 PROPERTY CLASS 4 & IS:1365	④
12	TOP SIDE BEARER LINER	4	-	IS:2062-2011 Gr. E250A	
11	PACKING	8	-	IS:1079 Gr"o"	
10	METAL BOUNDED RUBBER PADS FOR SIDE BEARER	4	WD-85076-S/1	03-MISC-86	
9	SIDE BEARER HOUSING	4	SK.69594 ITEM-4		
8	RETAINING RING	2	WD-80007-S/15 ITEM-9		
7	WASHER	2	WD-85079/S-2 ITEM-4		
6	LOCK PIN WITH 3.5Ø SPLIT PIN	2	WD-85079/S-2 ITEM-8		
5	SHACKLE LOCK	2	WD-85079/S-2 ITEM-7		
4	BOGIE CENTRE PIVOT PIN	2	WD-85079/S-2 ITEM-5		
3	CENTRE PIVOT RETAINER	2	WD-85079/S-2 ITEM-3		
2	BOGIE CENTRE PIVOT, BOTTOM	2	WD-85079/S-2 ITEM-1		
1	BOGIE CENTRE PIVOT, TOP	2	WD-85079/S-2 ITEM-2		

ITEM	DESCRIPTION	NO. OFF PER WAGON	REF. DRG.	WT. OF ONE(Kg)	MATL. & SPEC.	REMARKS
SUPERSEDED BY						
SUPERSEDES		DATE		BOGIE OPEN WAGON TYPE 'BOXN'		
SCALE	PASSED	C.B.SHARMA	11/85			
	CHECKED	Sd/-	11/85			
1:2	DRAWN	SURESH	10/85	CENTRE PIVOT & SIDE BEARER ARRANGEMENT		
1:5	TRACED	R.JAIN	5/88			
		J.SHEET	WD-85079	10/85		
B.G.	R.D.S.O.	GROUP	WD-85079/S-1			
	[W]					

④ 13	WD-23073	IS:1363 REPLACED BY IS:1365	08/23	
③ 12 & 13	WD-18094	MATERIAL SPECIFICATION REVISED	12/12	
②	WD-15027	PRELIMINARY SKETCH ONLY FOR PROTOTYPE APPLICATION (UNDER GUIDANCE TO ROS) DELETED FROM INDEX	06/15	
① 16	WD-04053	RIVETS REPLACED WITH HUCK/AVDEL BOLT	7/04	
⑩	WD-97042	DRG.CORRECTED FOR DIGITIZATION MISTAKES	9/97	CKD
ALT	ITEM AUTHY	DESCRIPTION	DATE	ASSEMBLY DRAWINGS